

**CUCINE TOP INFRAROSSO E900XP  
INFRARED COOKING TOP E900XP**

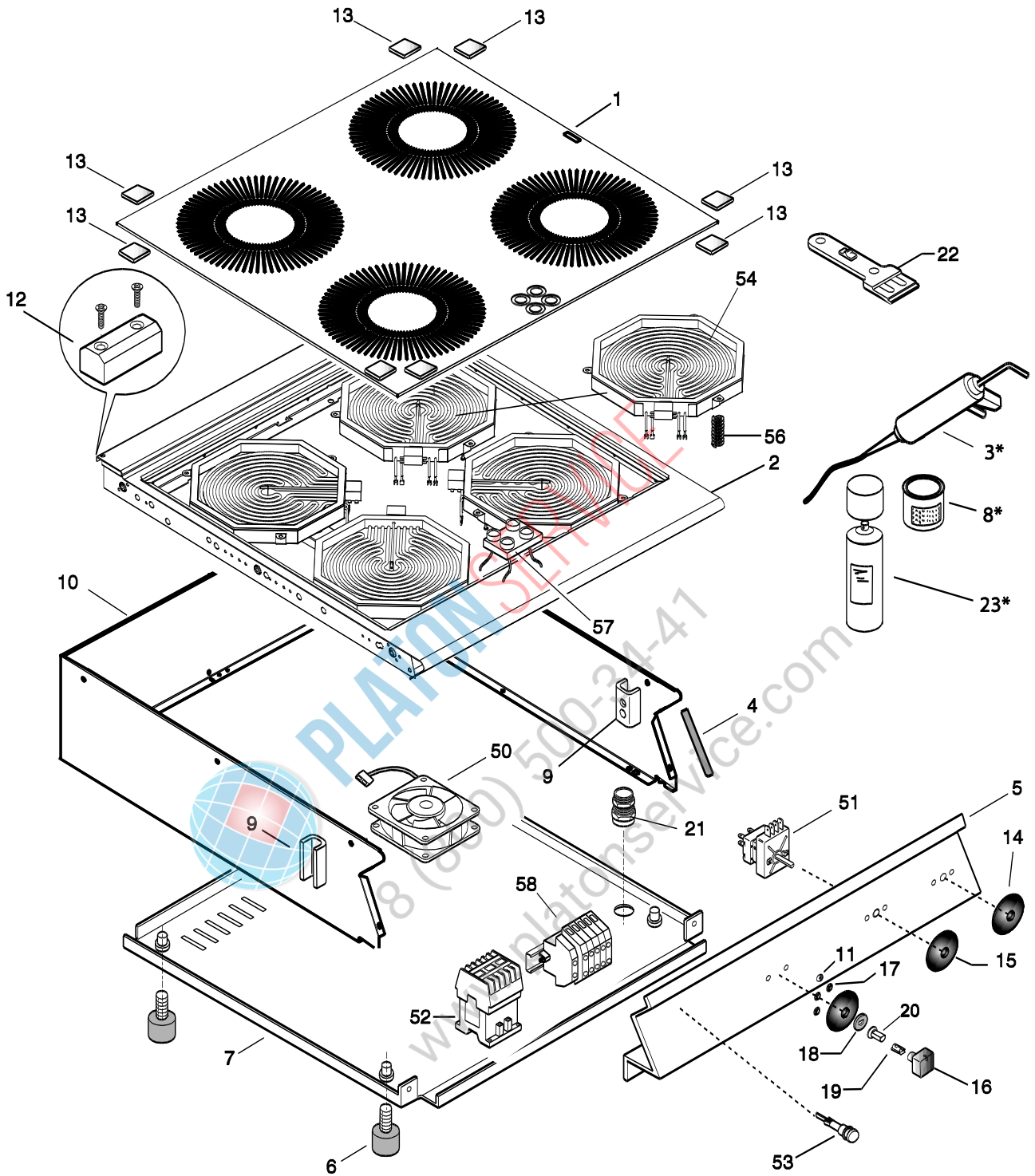
PNC	Model	Ref	Brand	Version	Notes
391044	E9IRED2000	a	ELX	EL	TOP 400 MM
391045	E9IREH4000	b	ELX	EL	TOP 800 MM
391170	E9IREH400N	c	ELX	EL	TOP 800 MM-230V
392044	Z9IRED2000	d	ZAN	EL	TOP 400 MM
392045	Z9IREH4000	e	ZAN	EL	TOP 800 MM
392170	Z9IREH400N	f	ZAN	EL	TOP 800 MM-230V
393044	A9IRED2000	g	OEM	EL	TOP 400 MM
393045	A9IREH4000	h	OEM	EL	TOP 800 MM
393170	A9IREH400N	i	OEM	EL	TOP 800 MM-230V
<b>393214</b>	<b>A9IRED200N</b>	<b>I</b>	<b>OEM</b>	<b>EL</b>	<b>TOP 400 MM-230V</b>



PLATON SERVICE  
8 (800) 500-34-41  
www.platonservice.com

Pag	Index	Indice	Note
2	Structure and componets	Mobile e componenti	
3	Spare parts list	Lista ricambi	

Brand/Marchio: All  
Factory code: 9PDX



**CUCINE TOP INFRAROSSO E900XP  
INFRARED COOKING TOP E900XP**

Pos	Factory Code	Spare Code	Descrizione	Description	Ref./Note
1	<b>574820600</b>	<b>0C7876</b>	VETROCERAMICA 400mm	GLASS TOP 400mm	
1	574820100	0C7187	VETROCERAMICA 800mm	GLASS TOP 800mm	
2	85589BA00	0C7898	RIPIANO 400mm	TABLE TOP 400mm	ELX
2	85589BB00	0C7213	RIPIANO 800mm	TABLE TOP 800mm	ELX
2	85589BF00	0C7874	RIPIANO 400mm	TABLE TOP 400mm	ZAN, OEM
2	85589BG00	0C7875	RIPIANO 800mm	TABLE TOP 800mm	ZAN, OEM
2	870882400	0C5703	RIPIANO 400mm	TABLE TOP 400mm	OEM – 230V
<b>3*</b>	<b>147090058</b>	<b>0C0074</b>	<b>SILICONE VETRO RIPIANO</b>	<b>SILICONE FOR GLASS TOP</b>	<b>NERO-BLACK</b>
4	543821900	0C2496	GUARNIZIONE PER CRUSCOTTO	GASKET, CONTROL PANEL	
5	85089B000	0C7291	CRUSCOTTO 400mm	CONTROL PANEL 400mm	ELX
5	85589A400	0C7308	CRUSCOTTO 800mm	CONTROL PANEL 800mm	ELX
5	85089FW00	0C7647	CRUSCOTTO 400mm	CONTROL PANEL 400mm	ZAN
5	85089FX00	0C7648	CRUSCOTTO 800mm	CONTROL PANEL 800mm	ZAN
5	50389LS00	0C8038	CRUSCOTTO 400mm	CONTROL PANEL 400mm	OEM
5	50389LT00	*	CRUSCOTTO 800mm	CONTROL PANEL 800mm	OEM
5	538858800	*	CRUSCOTTO 400mm	CONTROL PANEL 400mm	OEM – 230V
6	315252601	026806	PIEDINO CON VITE	SCREW FOOT FOR TOP	
7	529865509	*	FONDO 400mm	BOTTOM PANEL 400mm	
7	529865410	*	FONDO 800mm	BOTTOM PANEL 800mm	
<b>8*</b>	<b>147090057</b>	<b>088313</b>	<b>PRIMER (FISSATORE SILIC.)</b>	<b>PRIMER (SILIC.FIXER)</b>	
9	527850500	0C0156	PIASTRA FISSAGGIO FIANCHI	SIDE PANELS JOINTING PLATE	
10	85089DR00	*	FASCIA 400mm	EXTERNAL PANEL 400mm	ELX
10	85089DS00	*	FASCIA 800mm	EXTERNAL PANEL 800mm	ELX
10	85089DU00	*	FASCIA 400mm	EXTERNAL PANEL 400mm	ZAN, OEM
10	85089DV00	*	FASCIA 800mm	EXTERNAL PANEL 800mm	ZAN, OEM
11	541813800	0C6171	RONDELLA SILICONE	SILICONE GASKET	
12	516860702	0C0137	PIASTRINA X GIUNZIONE	JOINTING REAR PLATE	
13*	546810400	0C5419	DISTANZIALE PER VETRO	SPACER FOR GLASS TOP	10X8X2,5mm
<b>14</b>	<b>548877T00</b>	<b>0C7344</b>	<b>GHIERA REG.ENERGIA, ANT.</b>	<b>KNOB RING,FRONT ENERGY REG.</b>	<b>ELX</b>
<b>14</b>	<b>548879S00</b>	<b>0C7245</b>	<b>GHIERA REG.ENERGIA, ANT.</b>	<b>KNOB RING,FRONT ENERGY REG.</b>	<b>ZAN, OEM</b>
14	548859001	0C0318	GHIERA REG.ENERGIA, ANT.	KNOB RING,FRONT ENERGY REG.	OEM 400mm – 230V
<b>15</b>	<b>548877U00</b>	<b>0C7527</b>	<b>GHIERA REG.ENERGIA, POST.</b>	<b>KNOB RING,REAR ENERGY REG.</b>	<b>ELX</b>
<b>15</b>	<b>548879T00</b>	<b>0C7246</b>	<b>GHIERA REG.ENERGIA, POST.</b>	<b>KNOB RING,REAR ENERGY REG.</b>	<b>ZAN, OEM</b>
15	548863701	0C0317	GHIERA REG.ENERGIA, POST.	KNOB RING,REAR ENERGY REG.	OEM 400mm – 230V
16	511850G01	0C6670	MANOPOLA	KNOB	ELX
16	548878201	0C7232	MANOPOLA	KNOB	ZAN
16	548865500	0A5621	MANOPOLA	KNOB	OEM
17	218912211	069567	MOLLETTA PER GHIERA	SPRING, KNOB RING	
18	543821000	053816	GUARNIZIONE PER MANOPOLA	GASKET, KNOB	
19	214590701	025245	MOLLETTA PER MANOPOLA	SPRING, KNOB	
20	548877V00	0C7345	ADATTATORE MANOPOLA	KNOB ADAPTER	ELX
21	544802300	0C0068	PRESSACAVO	TIGHTENER, CORD	
22	830865500	059048	RASCHIETTO	SCRAPER	
<b>23*</b>	<b>151098052</b>	<b>088314</b>	<b>DETERGENTE SCIOGLI SILICONE</b>	<b>SILICONE REMOVER</b>	<b>1 L</b>
50	624806302	006125	VENTILATORE	FAN	
51	699802B00	0C6530	REGOLATORE DI ENERGIA	ENERGY REGULATOR	
52	648807300	088477	CONTATTORE	CONTACTOR	
53	876800002	005010	LAMPADA VERDE	GREEN PILOT LAMP	
54	617834001	0C4077	RESISTENZA ELETTRICA	HEATING ELEMENT	
55					
56	514828600	053819	MOLLA PER RESISTENZE	SPRING, HEATING ELEMENT FIX.	
57	830863200	059047	LAMPADA SPIA	PILOT LAMP	
58	639805001	059239	MORSETTIERA	MAIN TERMINAL BLOCK	